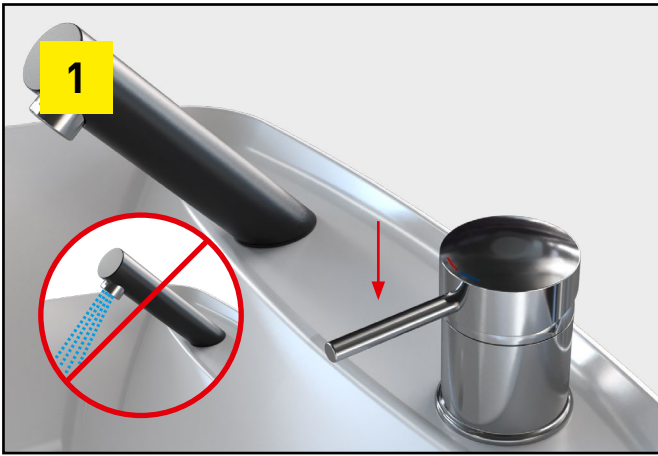


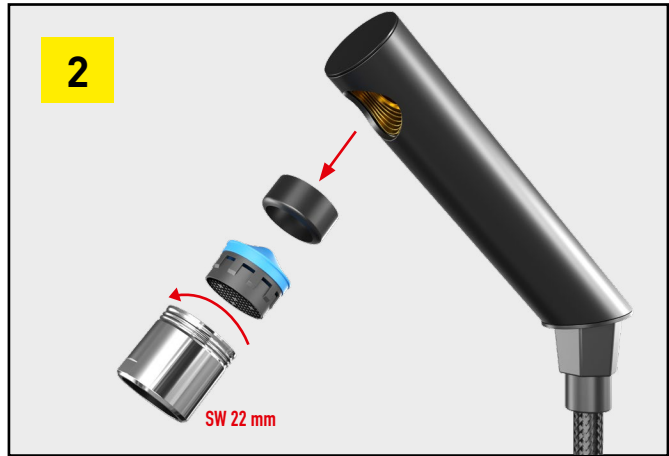


REPAIR INSTRUCTIONS

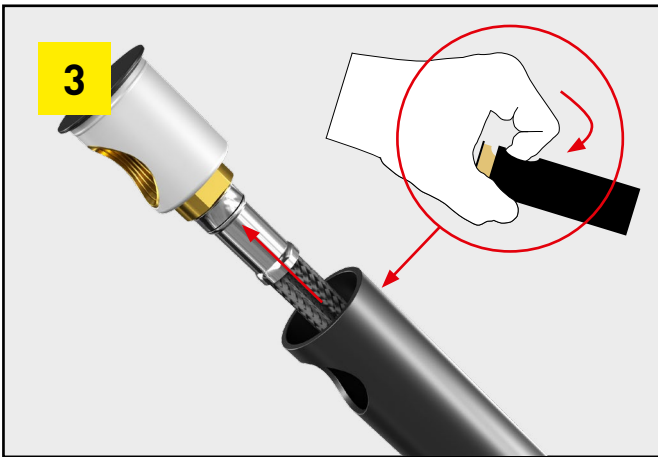
SHOWER HEAD / SHOWER HOSE / AERATOR REPLACEMENT ON AQUAPLUS MIXER TAP



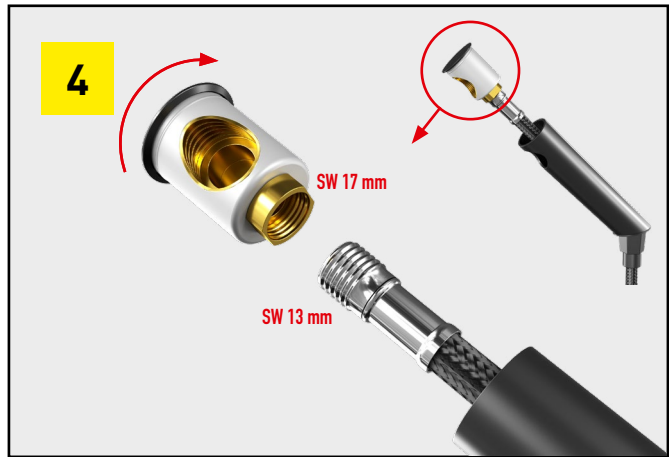
Close the mixer tap to stop the flow of water. **Note that there may be residual water in the shower hose after it has been switched off.**



To replace each component, you must first unscrew the aerator sleeve, aerator and aerator seal from the hand shower.



Use your finger to press the shower head out of the hand shower.



Now you can pull the shower head including shower hose out of the hand shower a little and unscrew the shower head.



To replace the shower hose, follow all the previous steps and then loosen the fastening nut on the mixer tap with a suitable open-end spanner (counter the SW 17 mm if necessary). The shower hose can then be pulled out and replaced.



Follow Jobst

Jobst GmbH
 Albert-Einstein-Str. 4
 D-73529 Schwaebisch Gmuend

+49 7171 82004
 info@jobst-salon.de
 www.jobst-salon.de

#welovehairstylists

