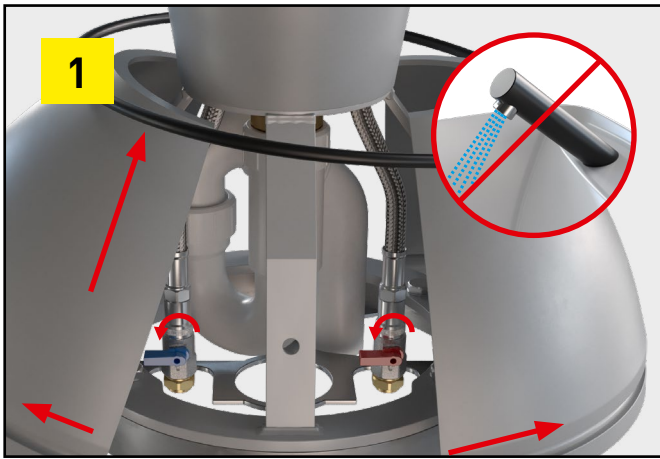
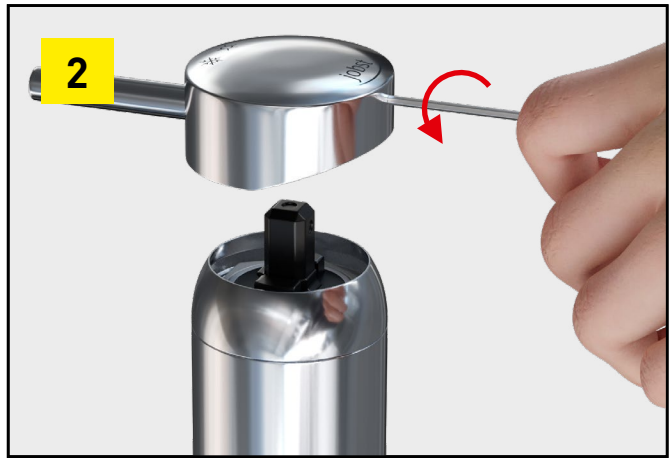


## REPAIR INSTRUCTIONS

# AQUAPLUS MIXER TAP CARTRIDGE REPLACEMENT



Pull the rubber protection ring upwards and remove both half-shells. Close the shut-off taps for hot and cold water in the cone base and check at the washbasin whether water is really turned off.



Place the handle horizontally. Then, through the hole at the back, loosen the screw inside with a 2.5 mm Allen key. Lift the handle upwards.



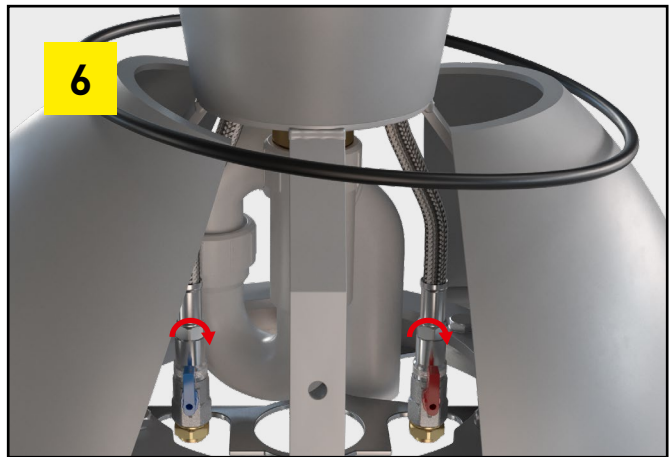
Loosen the collar and plastic nut by turning to the left and remove the cartridge.



Insert the replacement cartridge. **Attention: Make sure that the two pins at the bottom of the cartridge engage in the pin holes provided in the mixer tap housing.**



Place the handle on the square and press it down horizontally. Screw the inner screw through the hole again.



Reopen the shut-off taps for hot and cold water in the cone base, check for leaks. Place the half-shells around the cone base and bring them together, while sliding the rubber protection ring down over the half-shells into the ring groove.



Follow Jobst

**Jobst GmbH**  
 Albert-Einstein-Str. 4  
 D-73529 Schwabebisch Gmuend

+49 7171 82004  
 info@jobst-salon.de  
 www.jobst-salon.de

#welovehairstylists

