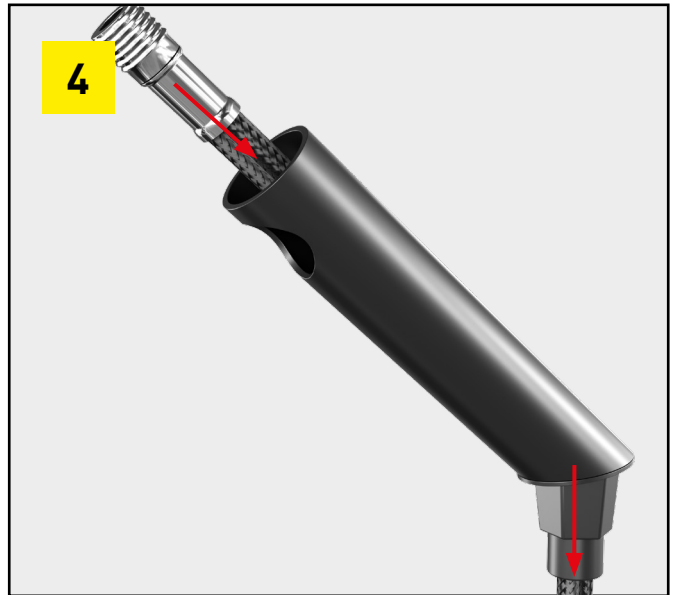
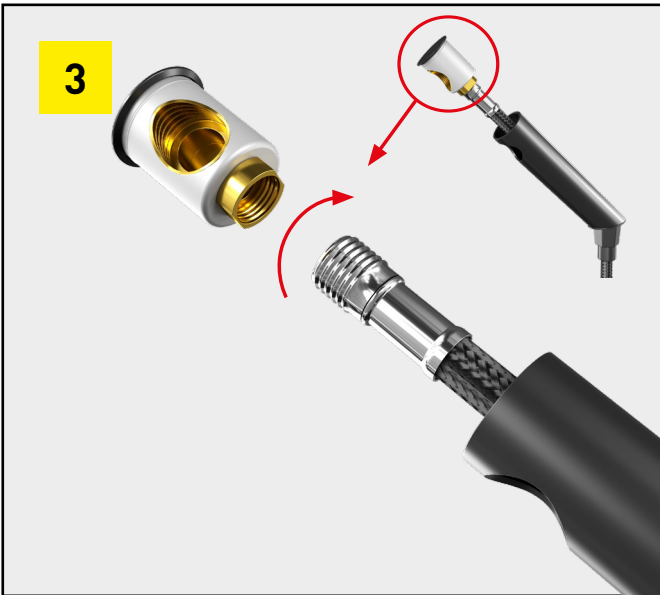
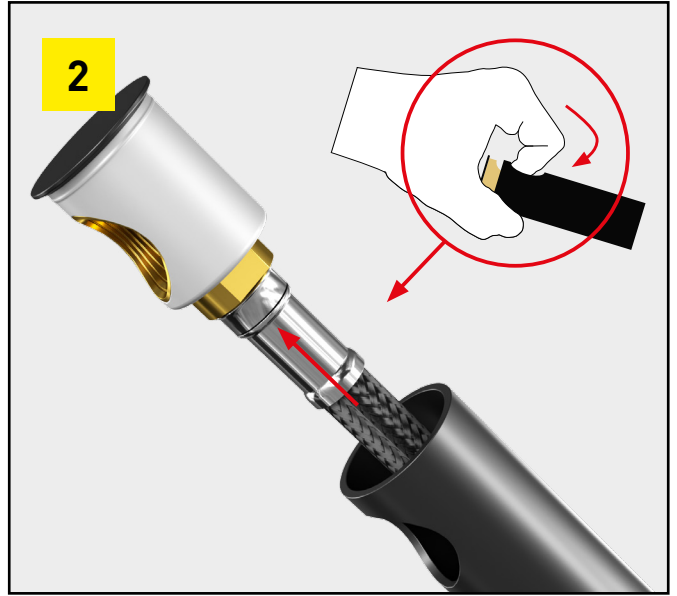
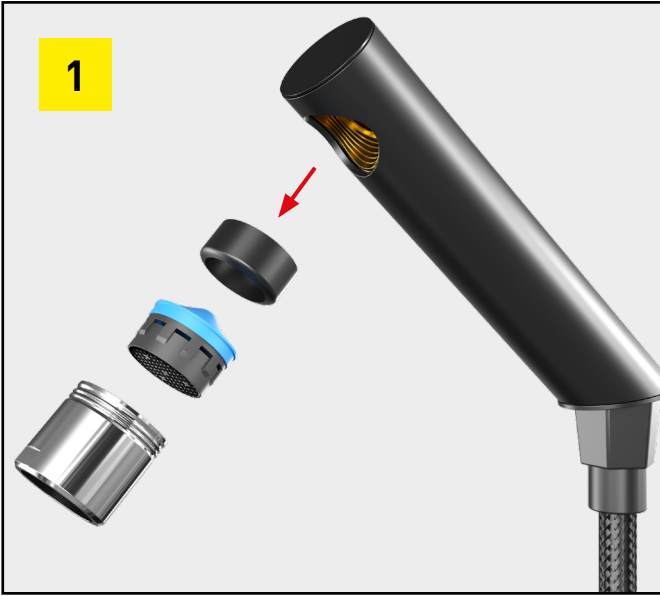


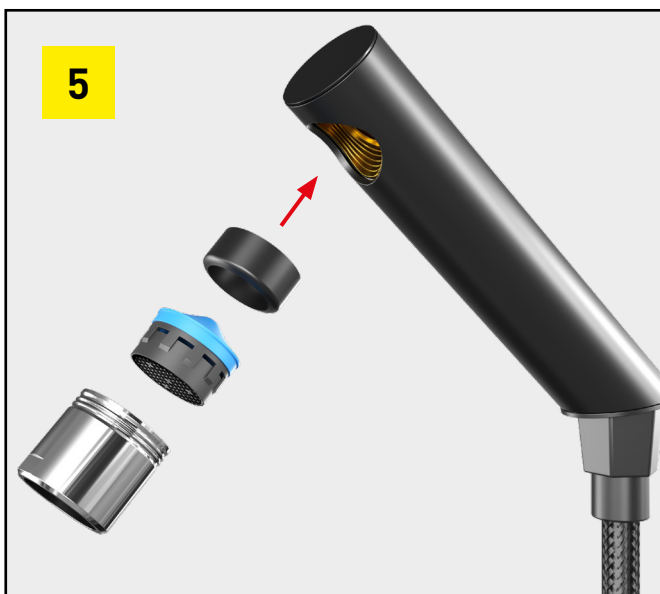
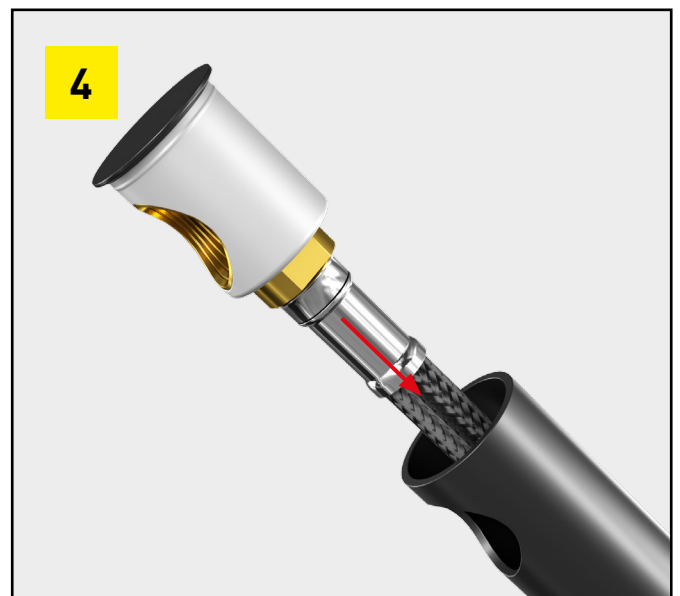
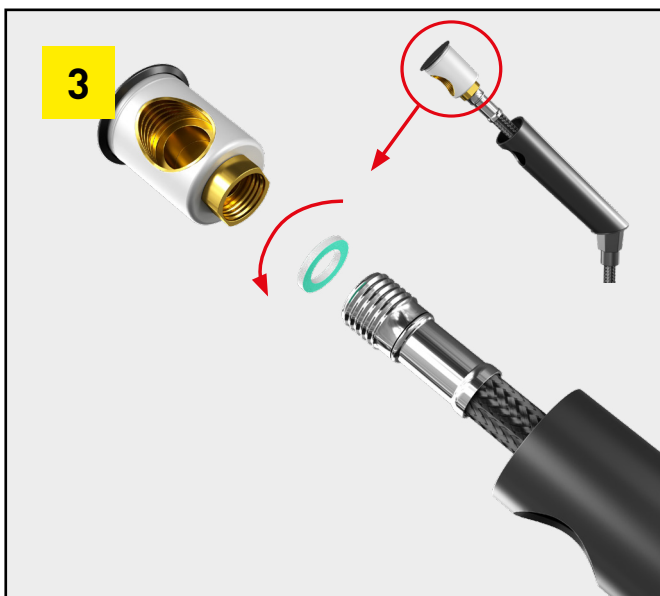
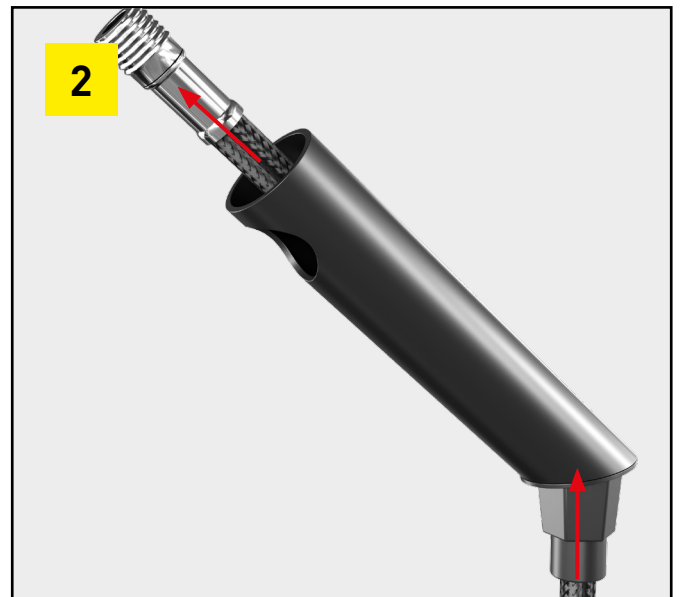
INSTALLATION INSTRUCTIONS

AQUAPLUS MIXER TAP FITTING

DISASSEMBLY



ASSEMBLY



Instruction for care

Dear Customer, we congratulate you on your purchase. You have purchased a product of outstanding quality. For the correct maintenance, please mind the following instructions:

- Chromium-plated surfaces are cleaned best by means of a **liquid detergent** or a soap solution. Please by no means use cleaning agents or scouring agents containing chloric acid. The use of unsuitable cleaning agents may damage the surface; such damages are excluded from any warranty.
- Flow pressure: **3 - 5 bar**
- Temperature: maximum **70 °C** (hot water inlet)
- Water connection:
hot – left
cold – right
- Avoid higher pressure differences between cold and hot water connections.
- Before installing the mixing tap, flush the inlet pipes thoroughly.
- Operation with low-pressure storage tanks (open water heaters) is **not** possible.

Technical changes and colour deviations reserved. All dimensions are approximate values and are indicated in mm. They shall not be deemed legally binding specifications.



Follow Jobst

Jobst GmbH

Albert-Einstein-Str. 4

D-73529 Schwaebisch Gmuend

+49 7171 82004

info@jobst-salon.de

www.jobst-salon.de

#welovehairstylists