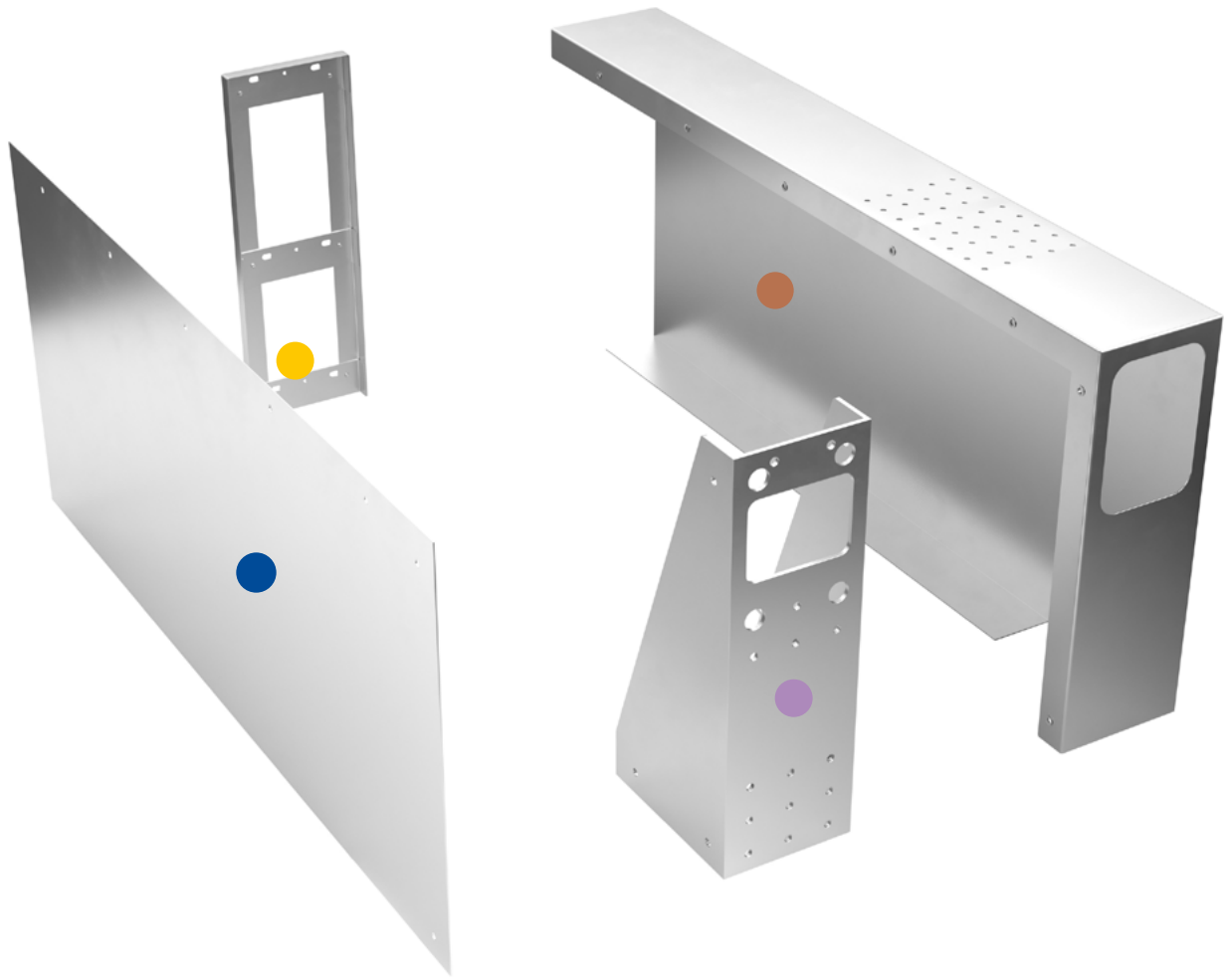




INSTALLATION INSTRUCTIONS


# CONTURA MONO WALL


EN



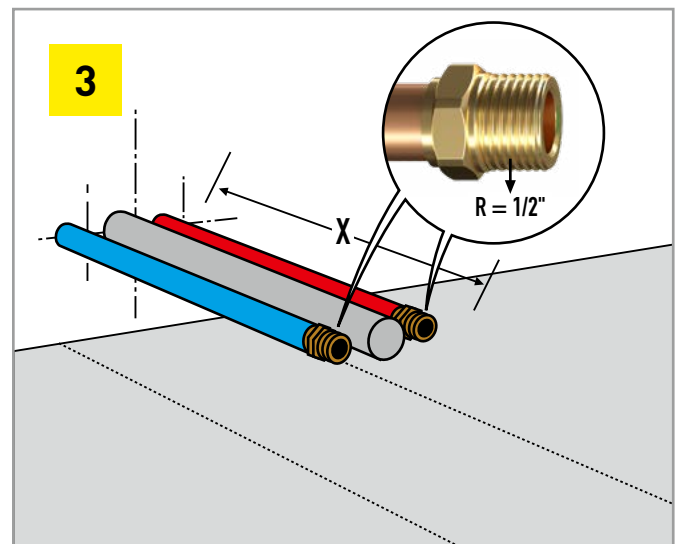
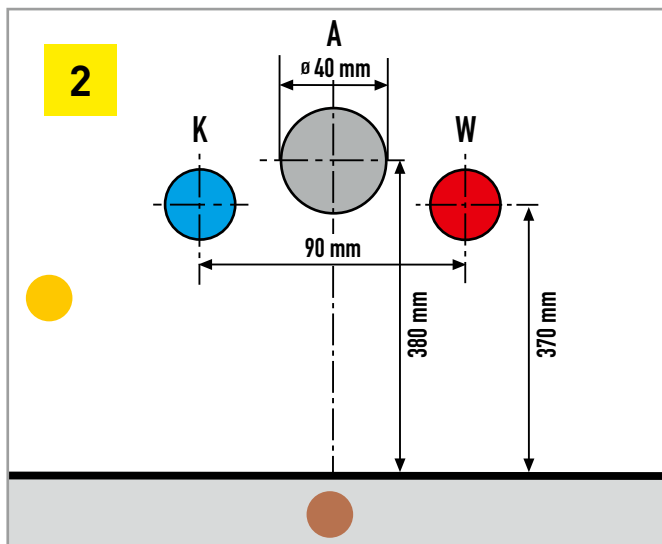
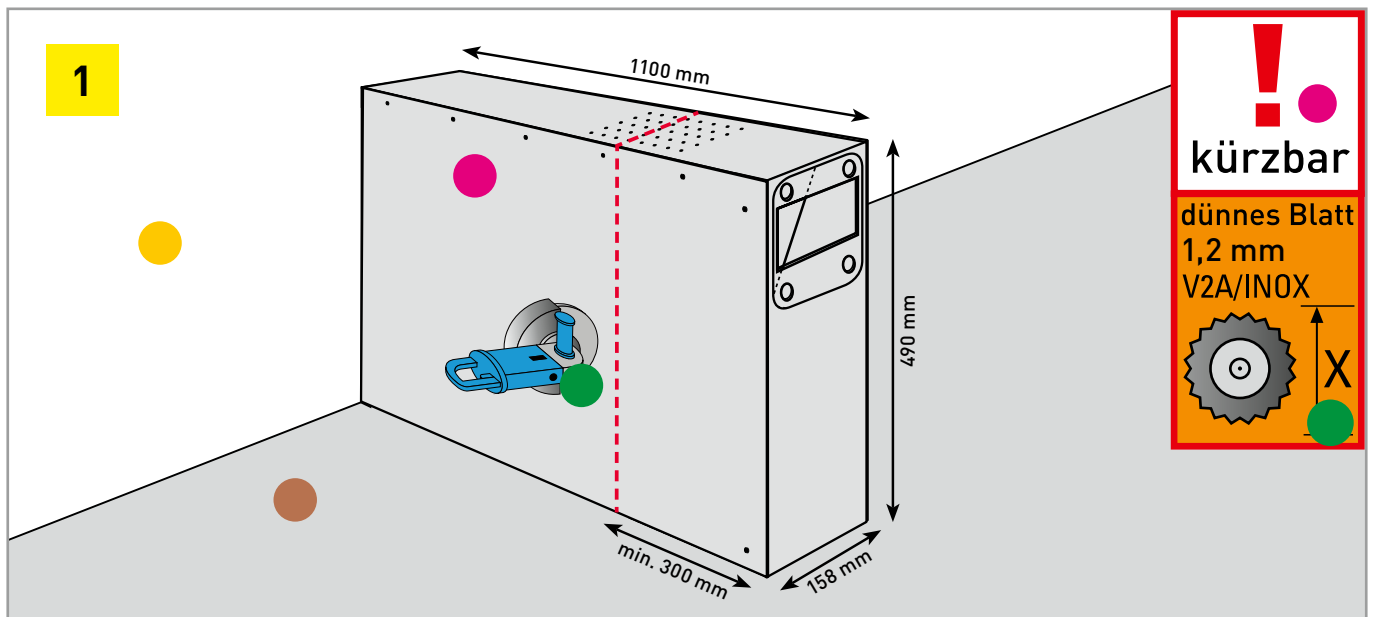
 Mono Wand wall duct






 Mono Wand wall duct frame

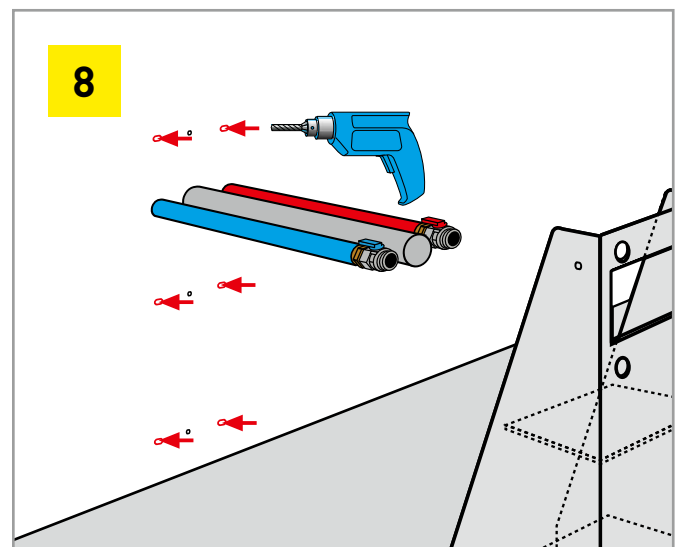
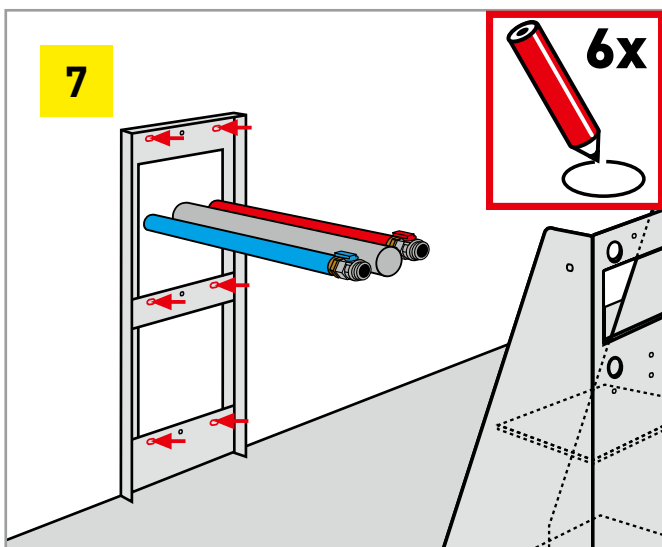
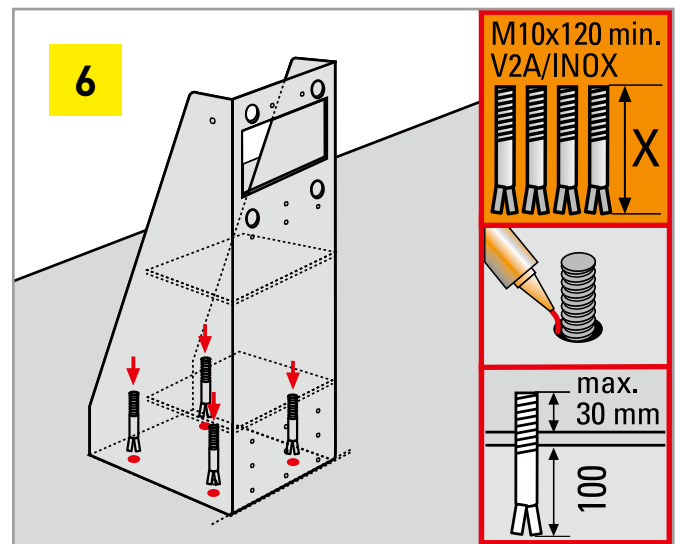
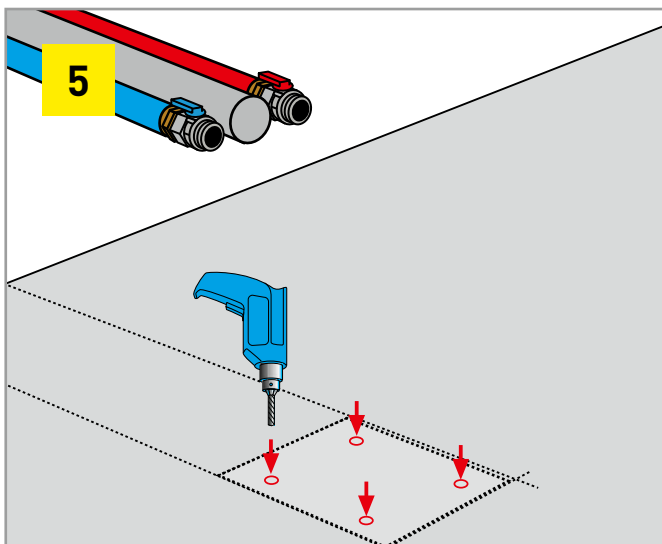
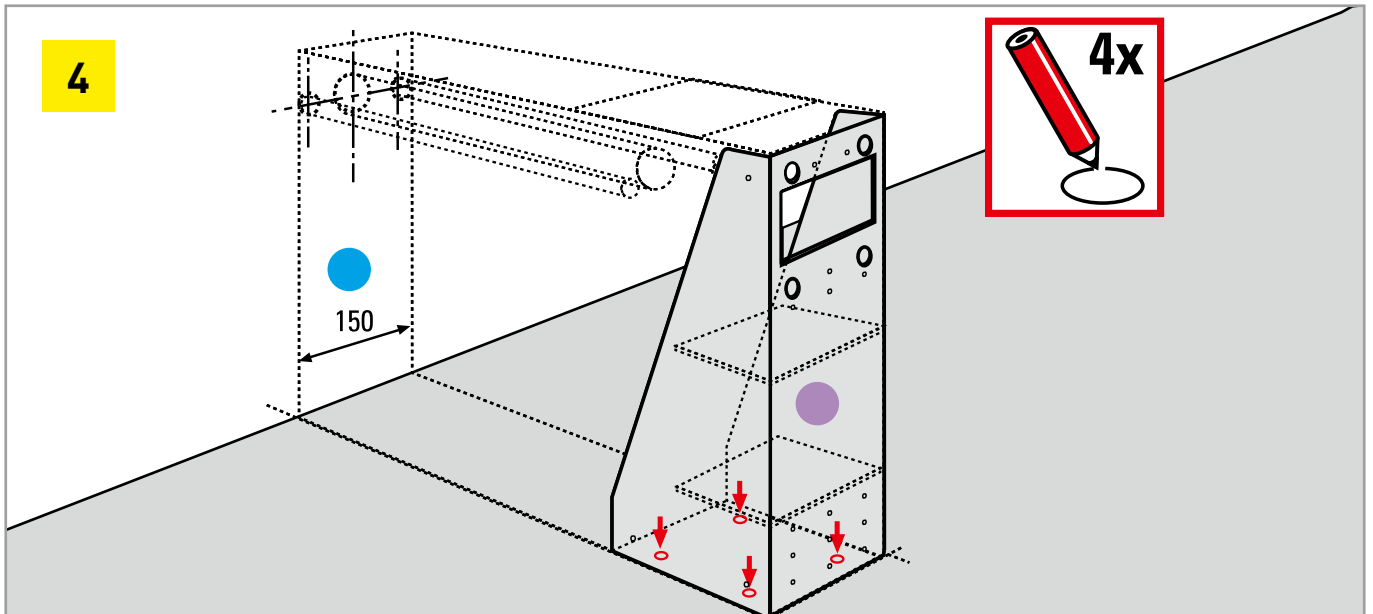
 Mono Wand wall duct side element

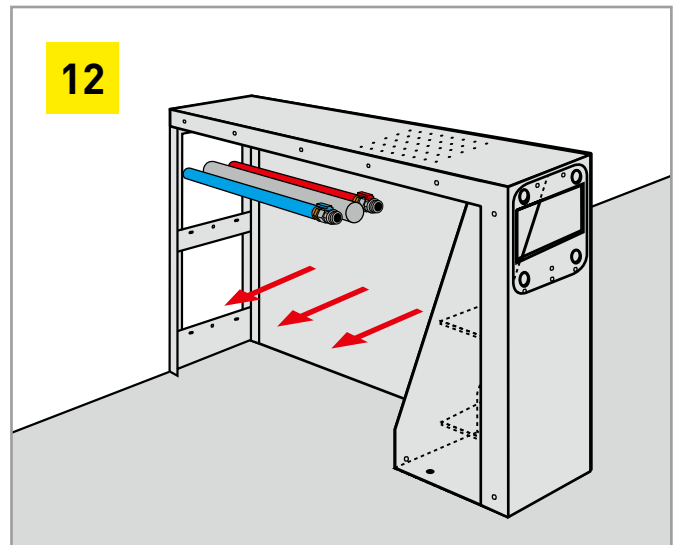
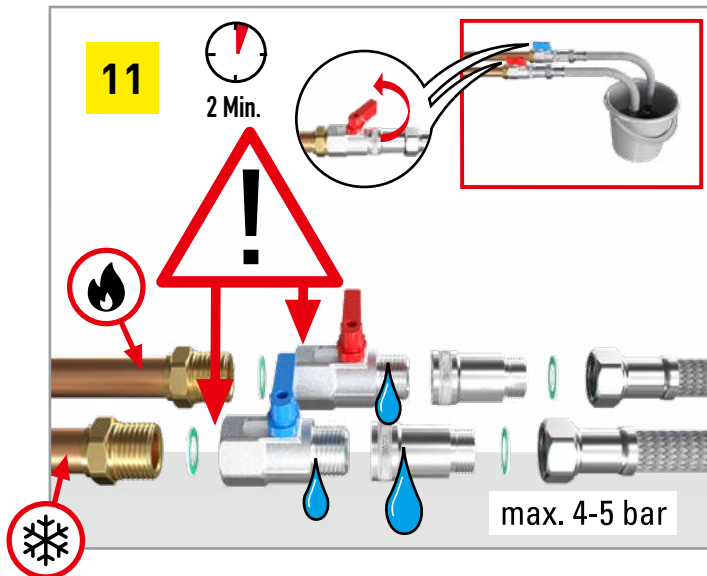
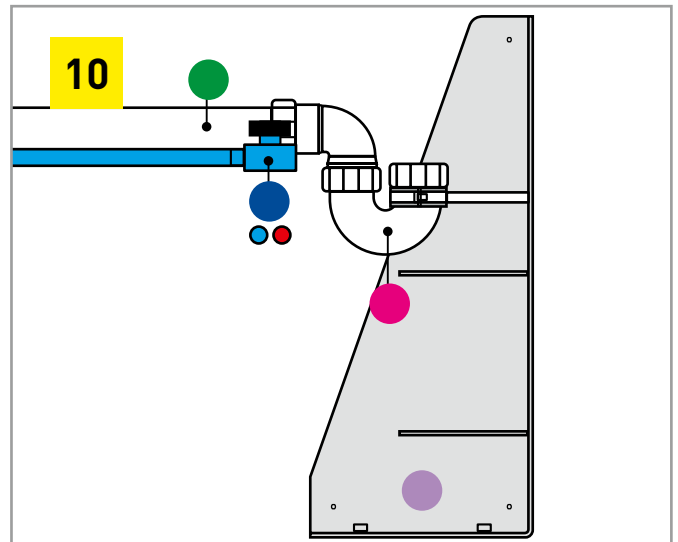
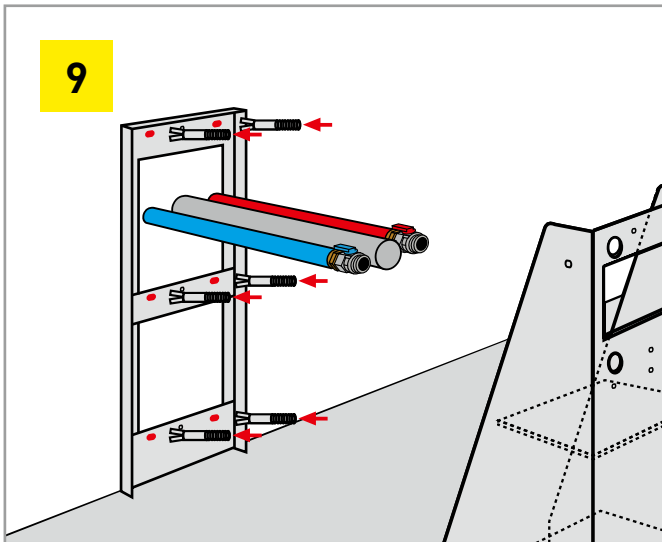
 Retaining wall


# INSTALLATION INSTRUCTIONS FOR THE PLUMBER





-   
 Floor
-   
 Wall
-   
 Can be shortened to size
-   
 Thin sheet, 1.2 mm V2A/INOX
-   
 Mounting bracket





 2 stop cocks R1/2" female thread

 40 mm HT drainage pipe, approx. 2% slope to the wall

 Internal dimensions of the duct

 Siphon

 Mounting bracket

Pressure test of the system with 8 bar. Set water pressure to 3 – 5 bar. Once the installation work is complete, be sure to flush the water pipe system. In the case where several systems are to be installed, a **central stop cock** is required which must be easily accessible from the salon. **The installation instructions describe the process of installing one system only. Should several systems be installed, the pipe cross section must be increased correspondingly.**

**Important:** If the water pressure exceeds 5 bar, the pressure must be regulated by a pressure reducing valve. Since a pressure reducing valve is used for water boilers, it may also be used for the general water sup-

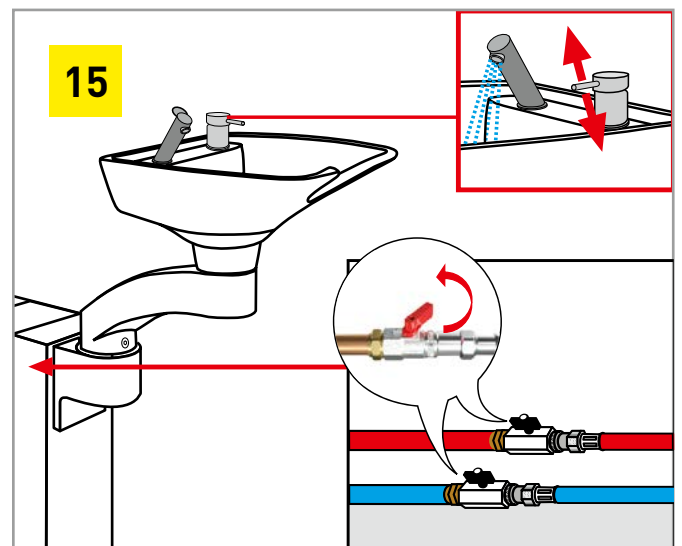
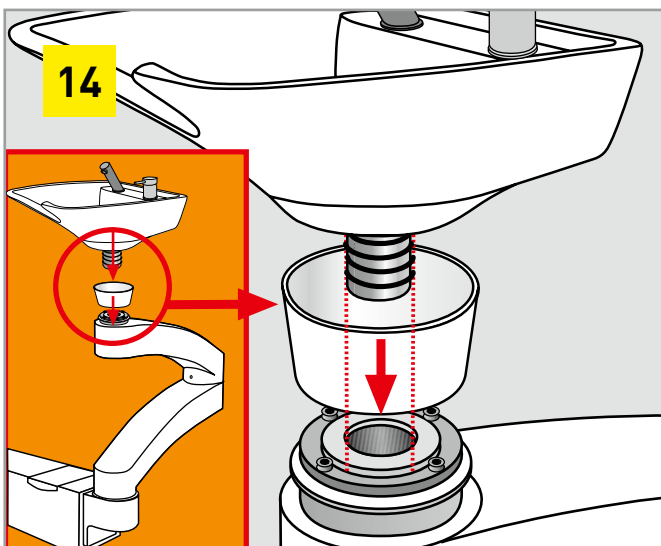
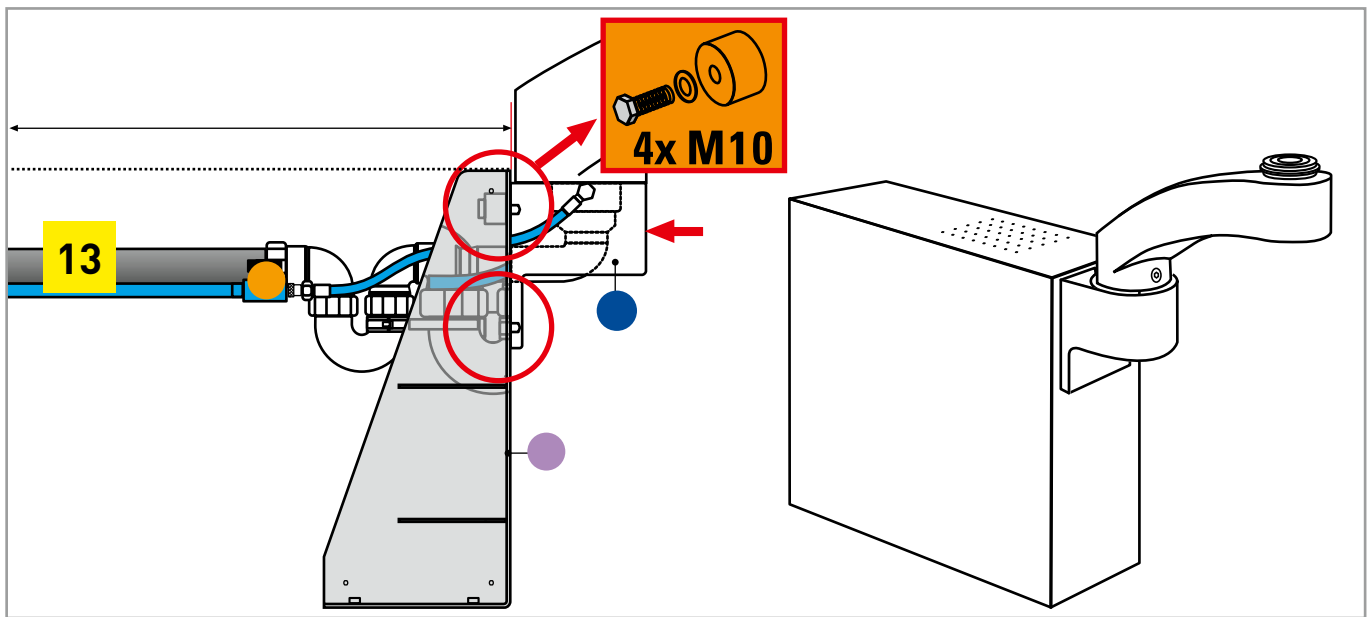
ply. In **order to avoid fluctuations of temperature**, the quantity and pressure for both hot **and** cold water must be the same.

Temperature: maximum **70 °C** (hot water inlet)

**Information for the owner:**


Everything covered up to this point is to be installed and tested by the plumber, who is also responsible for any guarantee in this regard. The plumber alone shall be liable for any malfunctions or problems. The manufacturer assumes no liability for any such tasks and performances.

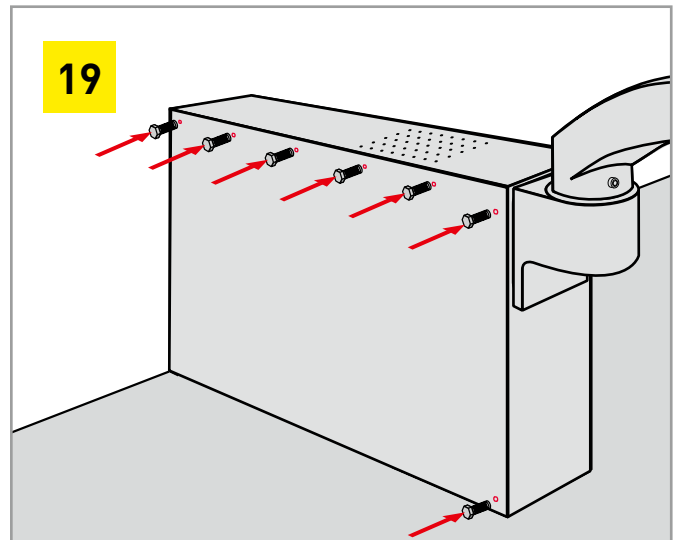
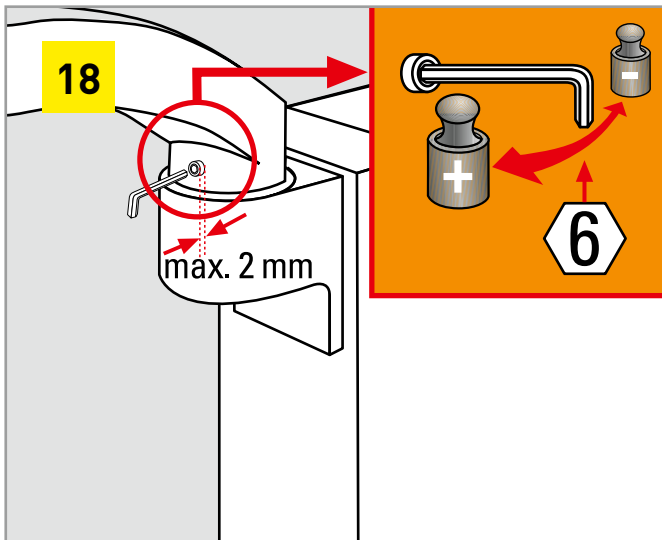
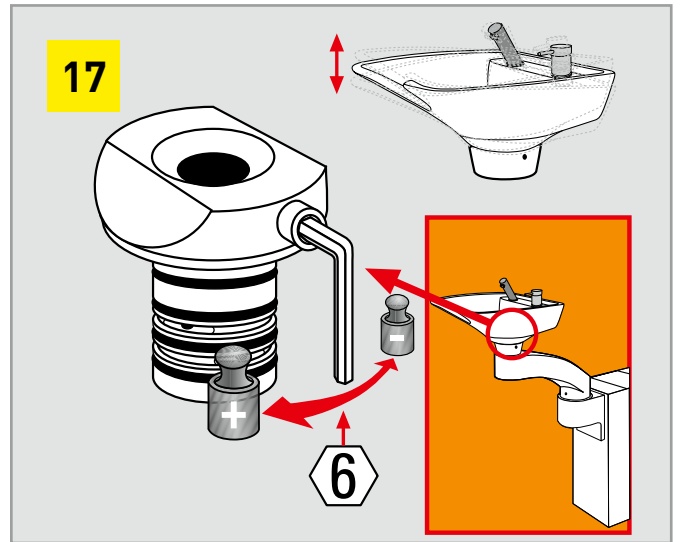
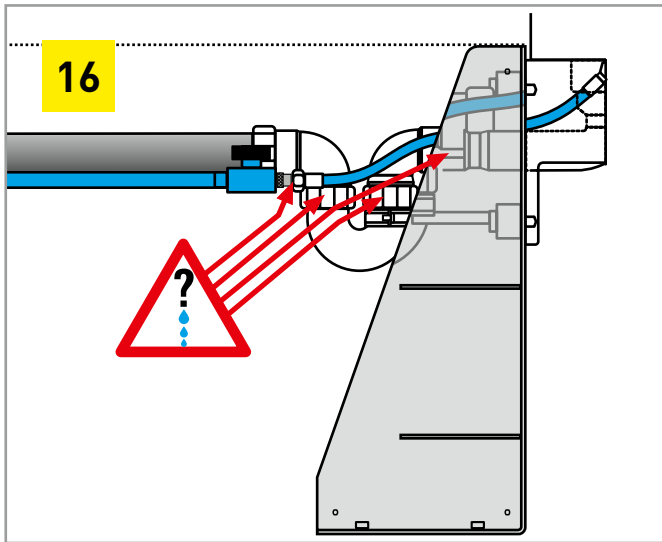
# INSTALLATION INSTRUCTIONS FOR THE FIXTURE INSTALLER



 850-1300 mm wall duct

 Wall flange

 Mounting bracket



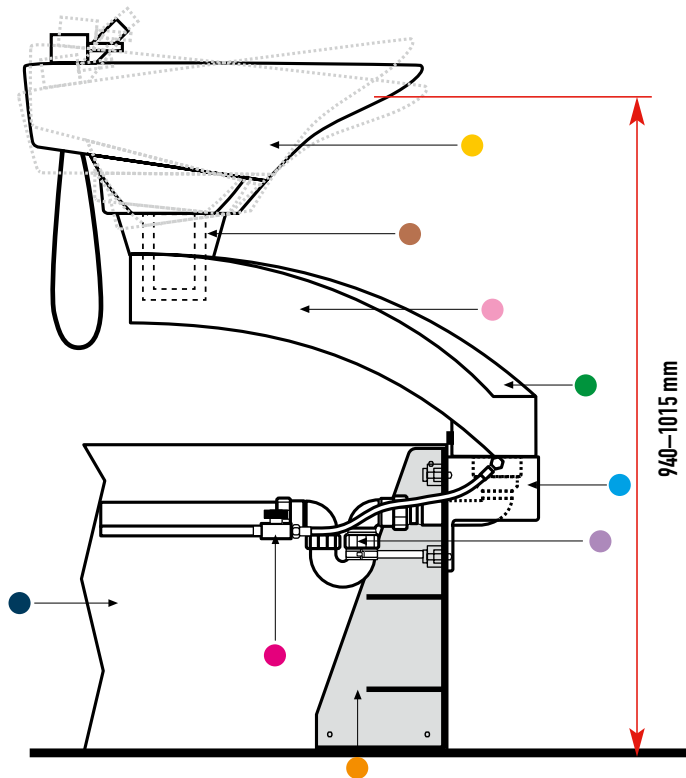
**Check the entire system again for functionality and correct installation.** Instruct the operating personnel regarding the device and its function.

**Information for the owner:**

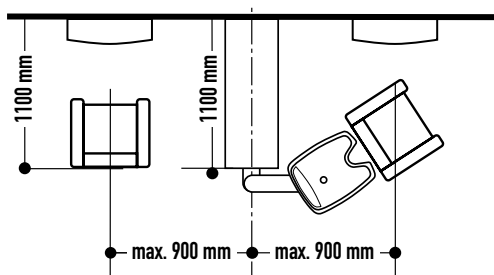
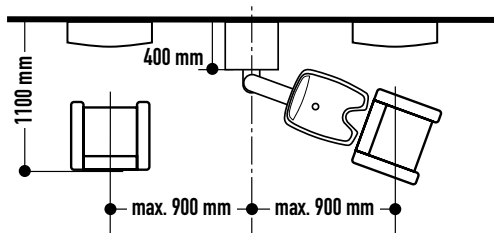
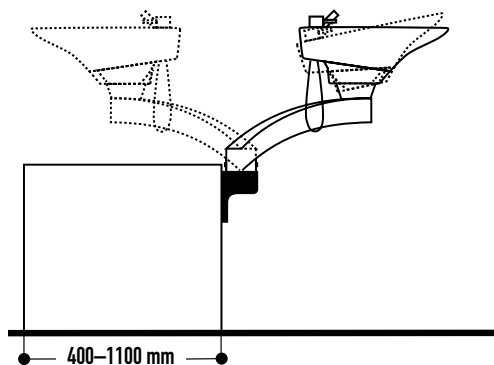
The fixture installer shall be liable for the installation work. The manufacturer of the system assumes no liability for any such tasks and performances.

**The stop cocks must be closed after the end of operation.**

# Contura Mono PLUS

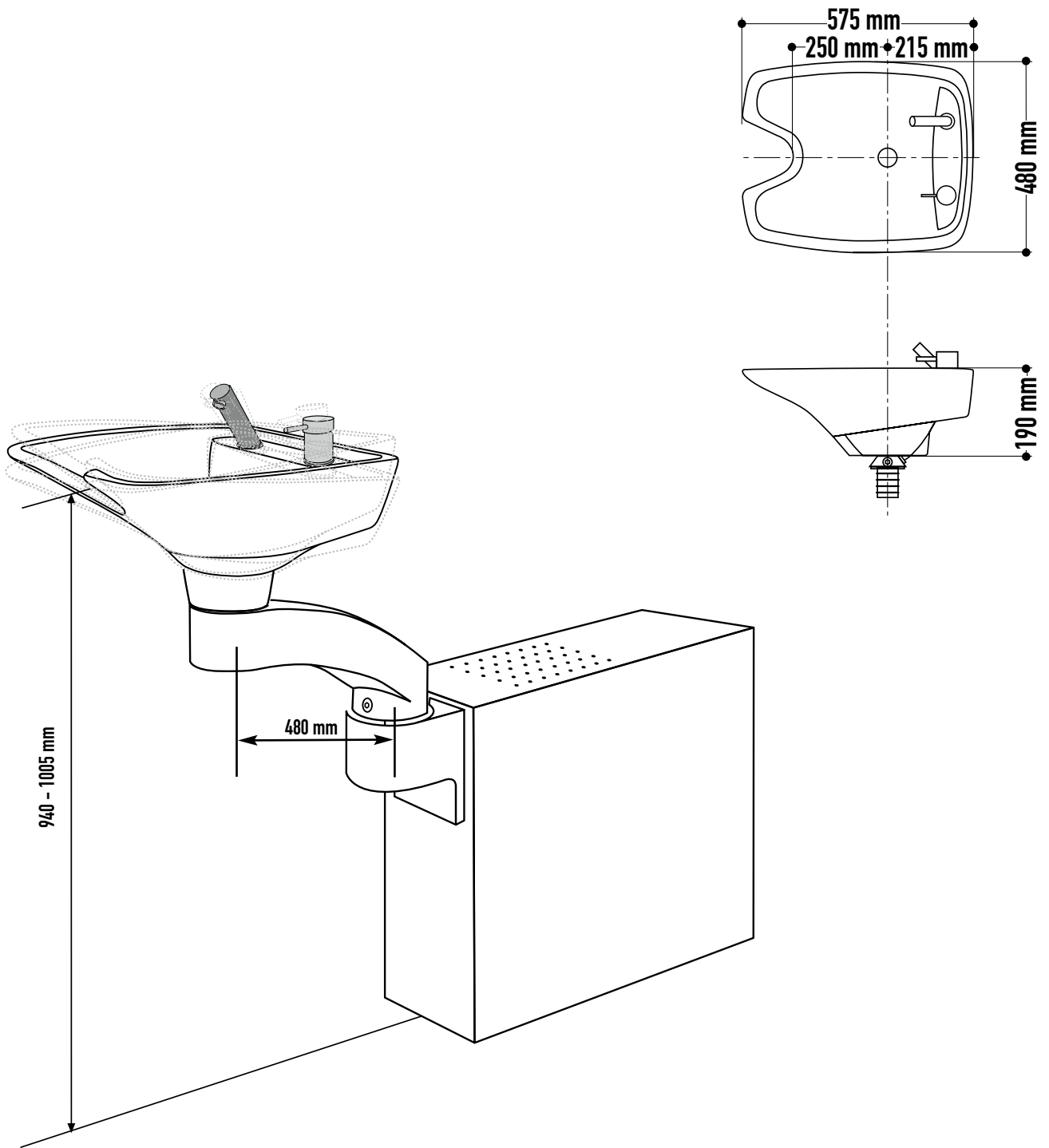


- Wash basin with mixing battery
- Covering bush
- Swivel arm
- Hinge brake
- Wall flange
- Siphon
- Stop cocks
- Mounting bracket
- Stainless-steel wall duct

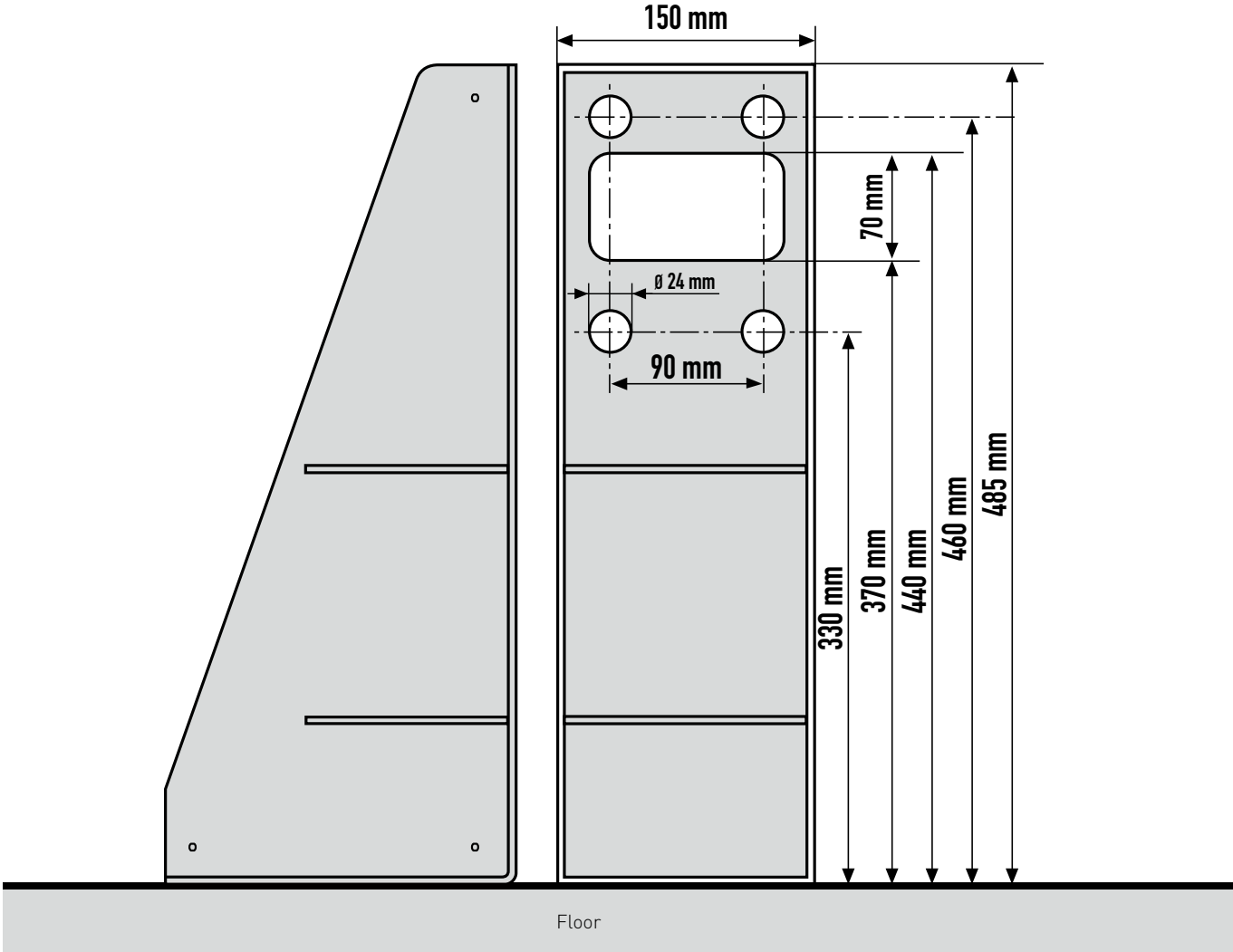


## Examples for area organisation.

Technical changes and colour deviations reserved. All dimensions are approximate values and are indicated in mm. They shall not be deemed legally binding specifications.






# Contura Mono PLUS





**Jobst GmbH**  
Albert-Einstein-Str. 4  
D-73529 Schwaebisch Gmuend

**#welovehairstylists**

 +49 7171 82004  
 [info@jobst-salon.de](mailto:info@jobst-salon.de)  
 [www.jobst-salon.de](http://www.jobst-salon.de)



**Follow Jobst**

